



**SYSTEM  
SENSOR**



6581 Kitimat Rd., Unit #6, Mississauga, Ontario, L5N 3T5

1-800-SENSOR2, FAX: 905-812-0771

www.systemsensor.ca

## SMB500 Surface Mount Box

**NOTICE:** This manual should be left with the owner/user of this equipment. Figure 1:

### General Description

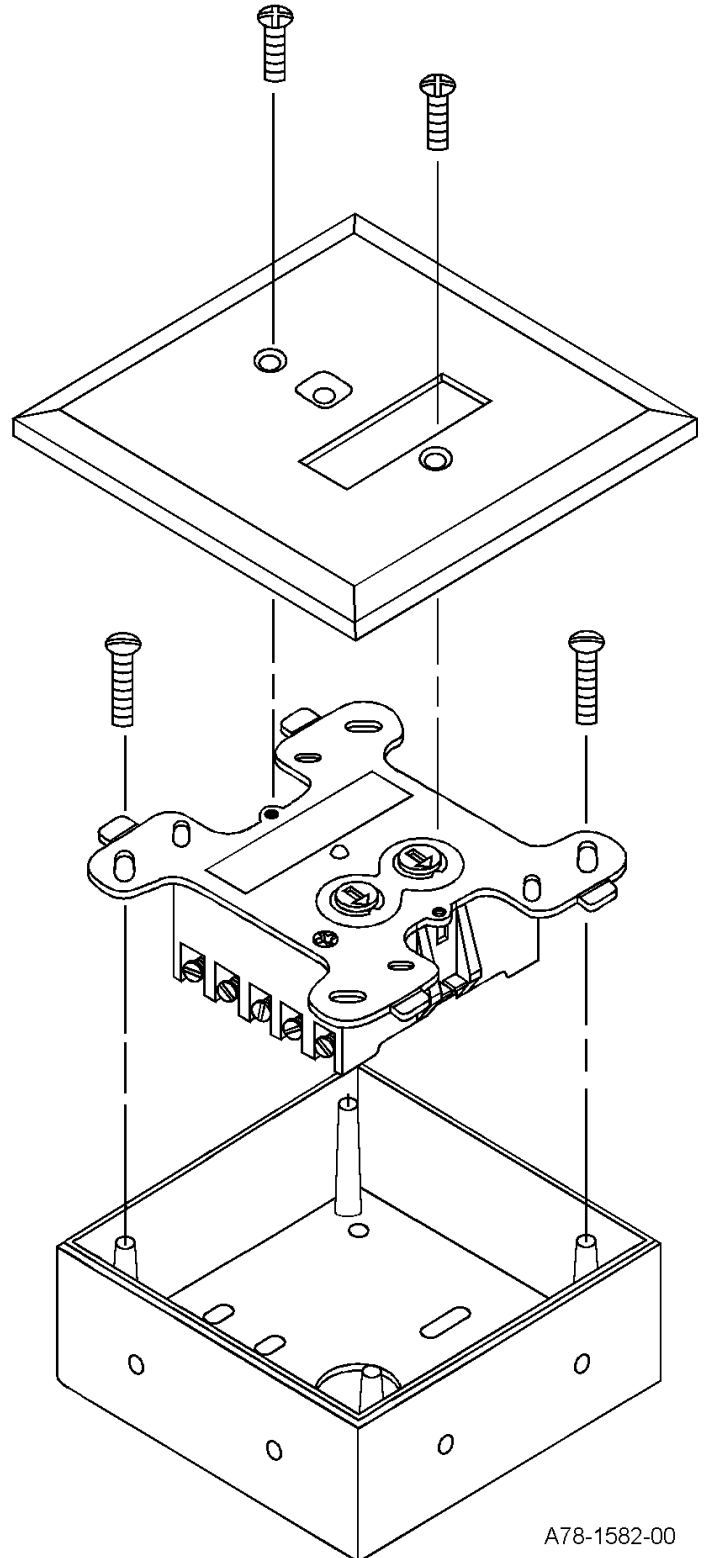
The SMB500 Surface Mount Box is designed for use with the System Sensor line of intelligent modules. As indicated in Figure 1, this surface mount box provides for the surface mounting of these products to the wall.

The kit consists of:

- 1 Five Inch Surface Mount Box
- 2 No. 6 Screws
- 2 Plastic anchors
- 2 No. 8 Screws

### Mounting Instructions

1. If surface mount conduit is to be used, predrill a hole in the side of the surface mount box at one of the drill centers provided.
2. Secure the surface mount box to the wall with #6 screws and plastic anchors (provided) or to a junction box (screws not provided).
3. Wire the module according to the module instructions.
4. Assemble the module to the surface mount box with the #8 screws provided.
5. Fasten the cover plate to the module, using the screws provided with the module.



A78-1582-00