



Indoor Selectable-Output Speaker Strobes and Dual Voltage Evacuation Speakers for Ceiling Applications

SpectrAlert® Advance selectable-output speaker strobes and dual-voltage evacuation speakers can reduce ground faults and enable faster installation.



SPECTRAlert
ADVANCE
from System Sensor

Features

- Plug-in design and protective cover reduces ground faults
- Universal mounting plate with an onboard shorting spring tests wiring continuity before installation
- Field selectable candela settings:
Standard: 15, 15/75, 30, 75, 95, 110, 115
High: 135, 150, 177, 185
- Automatic selection of 12- or 24-volt operation at 15 and 15/75 candela
- Rotary switch simplifies field selection of speaker voltage (25 and 70.7 Vrms) and power settings (¼, ½, 1 and 2 watts)
- SP speakers offer high fidelity sound output
- SPV speakers offer high volume sound output
- Compatible with System Sensor synchronization protocol
- Electrical compatibility with existing SpectrAlert products
- Optional tamper resistant Torx head screw included

The SpectrAlert Advance Series of speakers and speaker strobes reduce costly ground faults using a plug-in design and universal mounting plate that allow the installer to pre-wire mounting plates, dress the wires, and confirm wiring continuity before plugging in the speakers. In addition, a protective plastic cover prevents nicked wires by covering exposed speaker components.

These devices also enable faster installations by providing instant feedback to ensure that wiring is properly connected, rotary switches to select voltage and power settings, and 11 field-selectable candela settings for both wall and ceiling speaker strobes.

The low total harmonic distortion of the SP speaker offers high fidelity sound output while the SPV speaker offers high volume sound output for use in high ambient noise applications.

SpectrAlert Advance makes installation easy

- Attach a universal mounting plate to a 4 × 4 × 2½ inch back box.
- Connect the notification appliance circuit or speaker wiring to the terminals on the mounting plate.
- Attach the speaker or speaker strobe to the mounting plate by inserting the product tabs into the mounting plate grooves. Rotate the device into position to lock the product pins into the mounting plate terminals. The device will temporarily hold in place with a catch until it is secured with a captured mounting screw.

Agency Listings



SpectrAlert Advance Speaker and Speaker Strobe Specifications

Architectural/Engineering Specifications

General

SpectrAlert Advance speaker and speaker strobes shall mount to a 4 × 4 × 2½-inch back box. A universal mounting plate shall be used for mounting ceiling and wall products. The notification appliance circuit and amplifier wiring shall terminate at the universal mounting plate. Also, SpectrAlert Advance speaker strobes, when used with the Sync-Circuit™ Module accessory, shall be powered from a non-coded notification appliance circuit output and shall operate on a nominal 12 or 24 volts. When used with the Sync-Circuit Module, 12-volt rated notification appliance circuit outputs shall operate between nine and 17.5 volts; 24-volt rated notification appliance circuit outputs shall operate between 17 and 33 volts. Indoor SpectrAlert Advance products shall operate between 0°C to 49°C from a regulated DC, or full-wave rectified, unfiltered power supply. Speaker strobes shall have field-selectable candela settings including 15, 15/75, 30, 75, 95, 110, 115, 135, 150, 177, 185.

Speaker

The speaker shall be a System Sensor SpectrAlert Advance model _____ dual-voltage transformer speaker capable of operating at 25.0 or 70.7 nominal Vrms. It should be ULC listed and shall be approved for fire protective service. The speaker shall have a frequency range of 400 to 4,000 Hz and shall have an operating temperature between 0°C to 49°C. The speaker shall have power taps and voltage that are selected by rotary switches.

Speaker Strobe combination

The speaker strobe shall be a System Sensor SpectrAlert Advance model _____ and shall be ULC listed and be approved for fire protective signaling systems. The speaker shall be capable of operating at 25.0 or 70.7 nominal Vrms selected via rotary switch, and shall have a frequency range of 400 to 4,000 Hz. The speaker shall have power taps that are selected by rotary switch. The strobe shall comply with the NFPA 72 requirements for visible signaling appliances, flashing at 1 Hz over the strobe's entire operating voltage range. The strobe light shall consist of a xenon flash tube and associated lens/reflector system.

Synchronization Module

The module shall be a System Sensor Sync-Circuit model MDLA listed to ULC and shall be approved for fire protective service. The module shall synchronize SpectrAlert strobes at 1 Hz. The module shall mount to a 4¼ × 4¼ × 2½-inch back box. The module shall also control two Style Y (class B) circuits or one Style Z (class A) circuit. The module shall synchronize multiple zones. Daisy chaining two or more synchronization modules together will synchronize all the zones they control. The module shall not operate on a coded power supply.

Physical Specifications

Operating Temperature	32°F to 120°F (0°C to 49°C)
Humidity Range	10 to 93% non-condensing
Dimensions, Ceiling-Mount	
SPSV Speaker Strobe	173 mm Dia. x 117 mm D (6.8" × 4.8") including lens and speaker
SP Speaker	173 mm Dia. x 71 mm D (6.8" × 2.8")
SPV Speaker	173 mm Dia. x 74 mm D (6.8" × 2.9")

Electrical/Operating Specifications

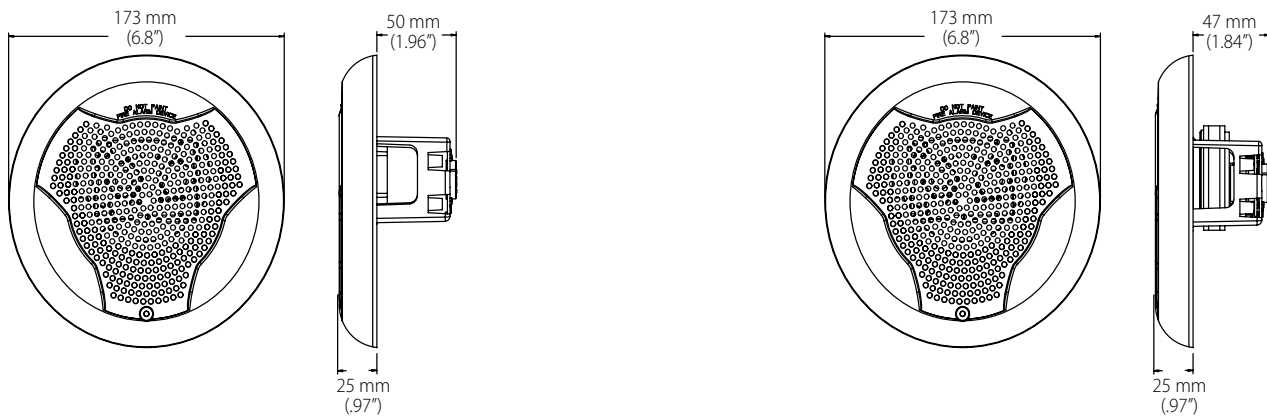
Nominal Voltage (speakers)	25 Volts or 70.7 Volts (nominal)
Maximum Supervisory Voltage (speakers)	50 VDC
Strobe Flash Rate	1 flash per second
Nominal Voltage (strobes)	Regulated 12 V DC/FWR or regulated 24 DC/FWR
Operating Voltage Range (includes fire alarm panels with built in sync)	8 to 17.5 V (12 V nominal) or 16 to 33 V (24 V nominal)
Operating Voltage with MDL Sync Module	9 to 17.5 V (12 V nominal) or 17 to 33 V (24 V nominal)
Frequency Range	400 to 4,000 Hz
Power	¼, ½, 1, 2 watts

Current Draw Data

Max. Strobe Current Draw (mA RMS)					
		8 to 17.5 Volts		16 to 33 Volts	
Candela		DC	FWR	DC	FWR
Standard Candela Range	15	123	128	66	71
	15/75	142	148	77	81
	30	NA	NA	94	96
	75	NA	NA	158	153
	95	NA	NA	181	176
	110	NA	NA	202	195
	115	NA	NA	210	205
High Candela Range	135	NA	NA	228	207
	150	NA	NA	246	220
	177	NA	NA	281	251
	185	NA	NA	286	258

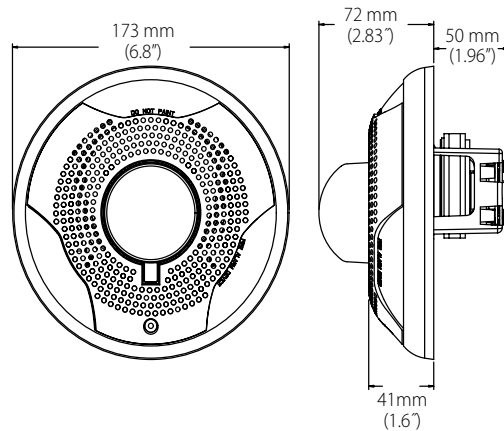
Sound Output				
ANECHOIC (dBA @ 10 ft.)	2W	1W	½ W	¼ W
Ceiling-Mount SPC Series	86	83	80	77
Ceiling-Mount SPCV Series	91	88	85	82
Ceiling-Mount SPSV Series	88	85	82	79

Dimensions



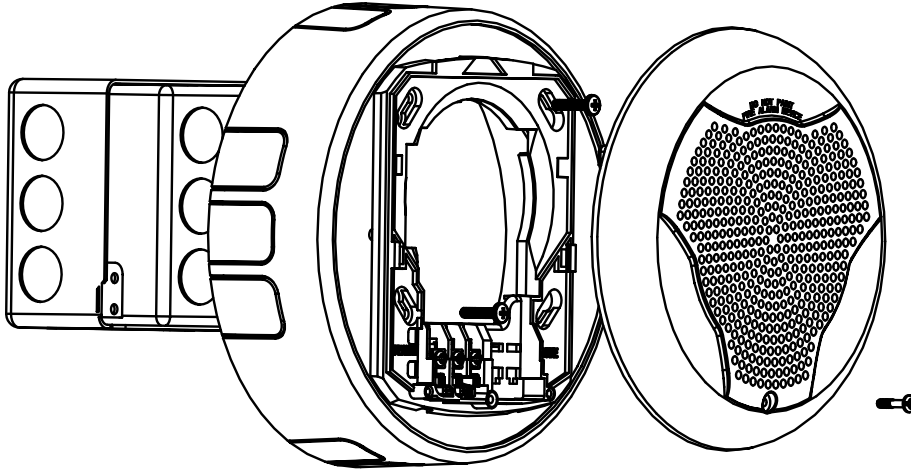
Ceiling-Mount SPV Speaker

Ceiling-Mount SP Speaker



Ceiling-Mount SPSV Speaker Strobe

Surface Mounting



Ceiling-Mount Speaker with SPBBSCW Back Box Skirt

Ordering Information for SpectrAlert® Advance Speakers and Speaker Strobes

Ceiling Mount		
White	Red	Description
SPCWA	SPCRA	Speaker only
SPCWVA	SPCRVA	Speaker only, High dB
SPSCWVA*	SPSCRVA*	Speaker Strobe, Selectable Candela (15, 15/75, 30, 75, 95, 110, 115), High dB
SPSCWVHA*	SPSCRVHA*	Speaker Strobe, Selectable Candela, High dB, High cd (135, 150, 177, 185)
Accessories		
White	Red	Description
RFPW	RFP	7 in x 9.5 in Retrofit Plate
SPBBSCW	SPBBSC	Ceiling Mount Back Box Skirt
TRCW	TRC	Ceiling Mount Trim Ring

* Add "-F" for "Fue" (French) or "-B" for bilingual (French and English) e.g., SPSCWVA-F



6-6581 • Mississauga, ON L5N 3T5
Phone: 800-736-7672 • Fax: 905-812-0771

©2011 System Sensor.
Product specifications subject to change without notice. Visit systemsensor.ca for current product information, including the latest version of this data sheet.
AV/DS00700-1 • 12/11 • #2808